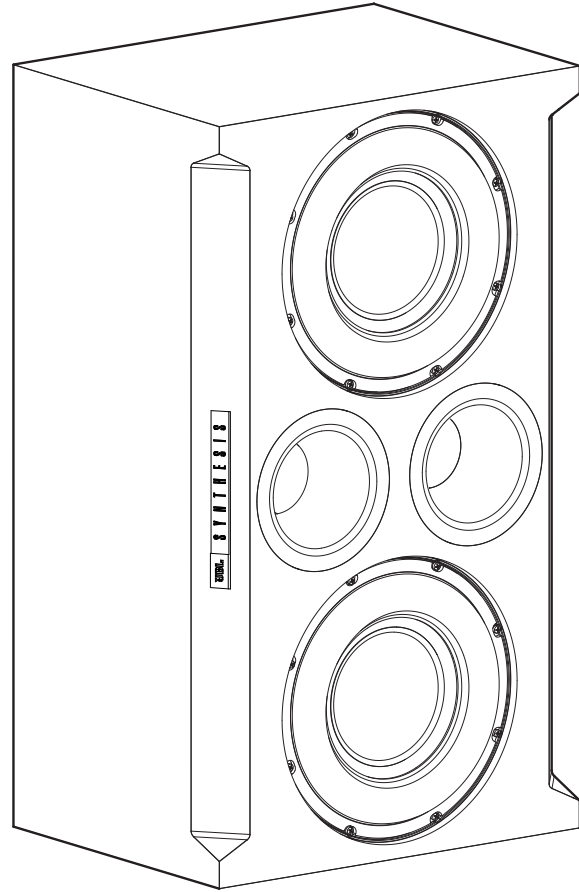




by HARMAN®

SYNTHESIS®



JBL® SSW-2

High-Performance Dual 12" Passive Subwoofer

OWNER'S MANUAL

THANK YOU FOR CHOOSING JBL®

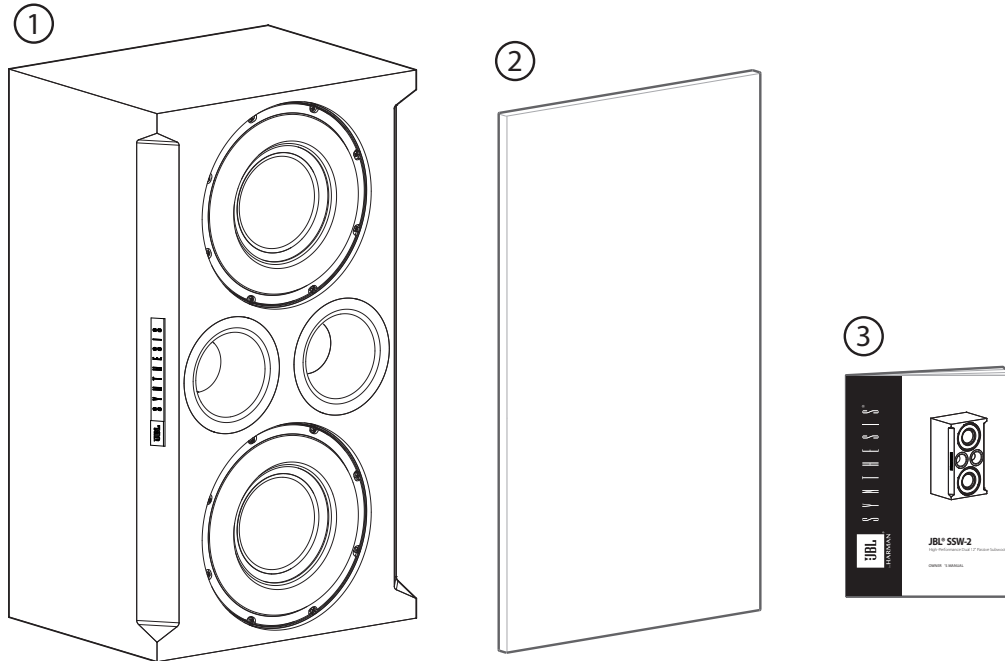
For more than 70 years, JBL has been involved in every aspect of music and film recording and reproduction, from live performances to monitoring the recordings you play in your home, car or office.

We are confident that the JBL Synthesis loudspeaker you have chosen will provide every note of enjoyment that you expect – and that when you think about purchasing additional audio equipment for your home, car or office, you will once again choose JBL.

Please take a moment to register your product on our website at www.jblsynthesis.com. This enables us to keep you posted on our latest advancements, and helps us to better understand our customers and build products that meet their needs and expectations.

All features and specifications are subject to change without notice.

INCLUDED



1. Subwoofer
2. Grille
3. Owner's Manual

PLACEMENT

When using subwoofers within the limited confines of a typical home theater room, the reflections, standing waves, and resonant absorbers within the room will create peaks and dips in the bass response that can vary greatly depending on where the listeners are located in the room - a listener seated in one location may hear an overabundance of bass created by a response peak at the location, while another listener only a few feet away may hear far less bass due to a response dip at that location.

The locations of subwoofers within the room (along with the room's dimensions) also have a profound effect on the creation of these bass response peaks and dips. Careful subwoofer placement alone cannot compensate for all bass response peaks and dips throughout a room, but careful subwoofer placement can eliminate or significantly reduce the largest response dips.

It is important to reduce response dips throughout the room as much as possible via proper subwoofer placement because equalization cannot be used to compensate for large response dips. For example, using equalization in an attempt to restore a 13dB response dip requires that the subwoofer amplifier deliver 20 times the power at that frequency. This can quickly overdrive the subwoofer amplifier into clipping, which will significantly degrade audio quality.

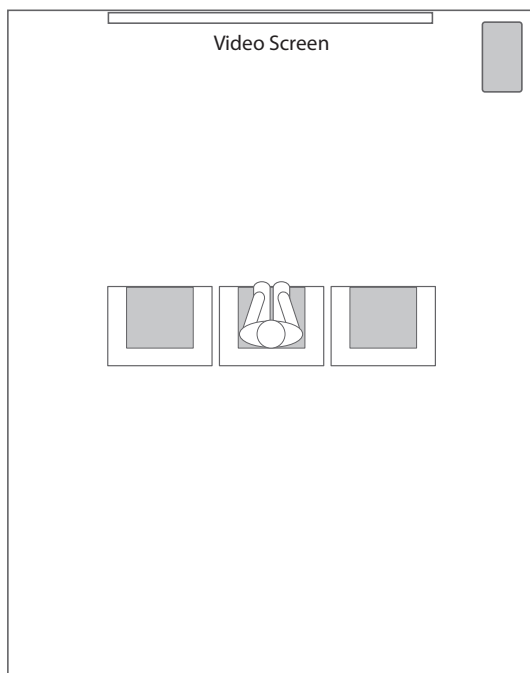
In almost any room, placing the subwoofers in corners will produce the fewest large bass response dips and will also produce the largest bass response peaks.

We strongly recommend that you install multiple subwoofers regardless of the room size. A single subwoofer will result in the least consistent bass performance throughout the room. Using multiple subwoofers can cancel some room modes at the various listening locations, resulting in much more consistent low-frequency sound quality throughout the listening area. It is often impossible to locate a single subwoofer such that large response dips, which cannot be corrected via equalization, are not present. The use of two or more properly placed subwoofers almost always eliminates such response dips.

Since wall construction is almost never perfectly identical on opposite walls, common formulas such as placing the subwoofers at $\frac{1}{4}$ points rarely work in practice. The best solution is to make high-resolution measurements from the primary listening area while experimenting with speaker placement.

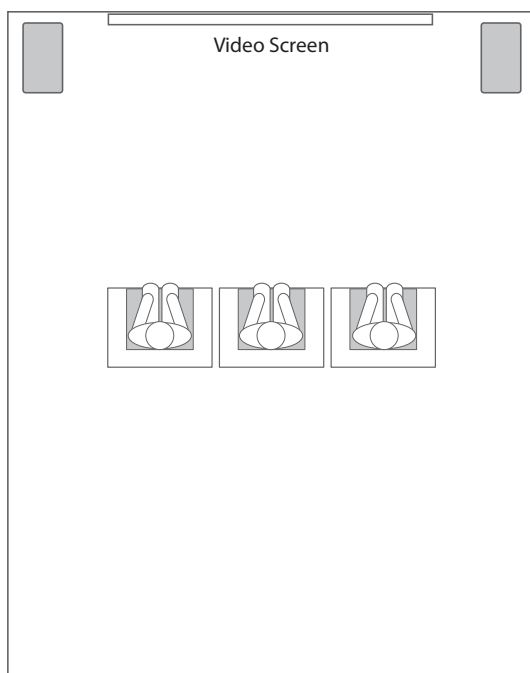
Placing a subwoofer at the listening position and measuring it from the potential installation positions around the room - using acoustic reciprocity - can help speed finding the best position(s). Measurement at the best positions in this manner will produce the measurements with the fewest and smallest peaks and dips in the response.

PLACING A SINGLE SUBWOOFER

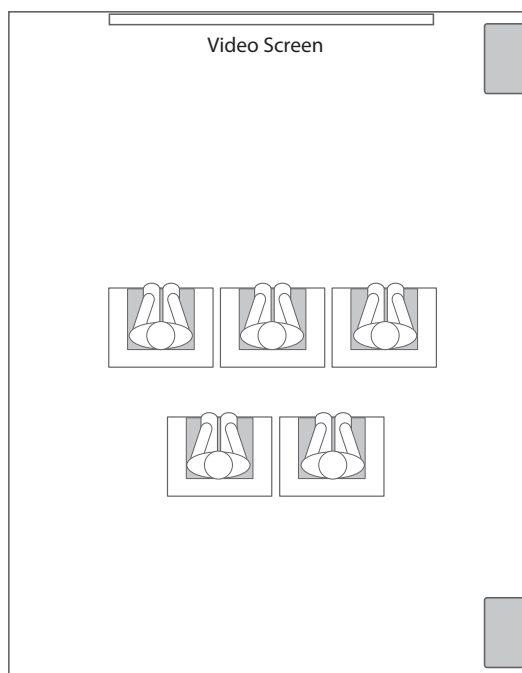


PLACING TWO SUBWOOFERS

Placement of two subwoofers will be determined by your room's seating arrangement.

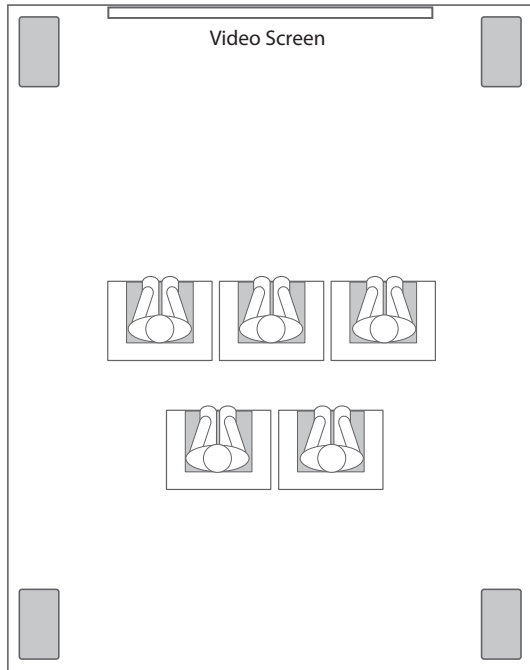


Rooms with a single row of seating



Rooms with multiple seating rows

PLACING FOUR SUBWOOFERS



CONNECTIONS

Speakers and electronics have corresponding (+) and (-) terminals. Most manufacturers of speakers and electronics, including JBL, use red to denote the (+) terminal and black for the (-) terminal. It is important to connect both terminals identically: (+) on the speaker to (+) on the amplifier, and (-) on the speaker to (-) on the amplifier. Wiring "out of phase" results in thin sound, weak bass, and a poor stereo image. With the advent of multichannel surround sound systems, connecting all of the speakers in your system with the correct polarity remains equally important in order to preserve the proper ambience and directionality of the program material.

If two SSW-2 subwoofers are used, the wires for both speakers should be the same length. If the bass response seems low, there may be a phase problem, with the sound waves from the two subwoofers canceling each other out. If the bass response seems low, try inverting the polarity on one subwoofer – i.e., connect the (+) terminal on the amplifier to the (-) terminal on the speaker, and the (-) terminal on the amplifier to the (+) terminal on the speaker.

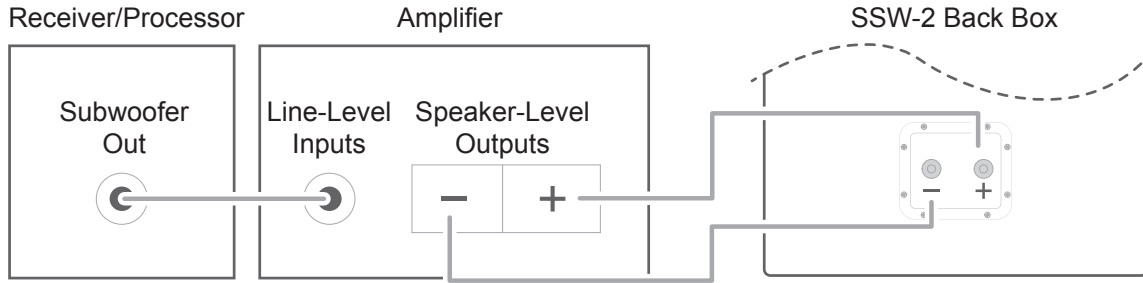
To use the binding-post speaker terminals on the terminal cup located behind the SSW-2 subwoofer, unscrew the colored knob until the pass-through hole in the center post is visible under the knob. Insert the bare end of the wire through this hole, then screw the knob down until the connection is tight. Spade connectors can be slid around the post before tightening the knob if those are used. The hole in the center of each knob is intended for use with banana-type connectors. Making sure to observe the correct polarity. The wire from the amplifier's negative (-) terminal is to be connected to the negative (-) or black terminal on the terminal cup, and the amplifier's positive (+) terminal is to be connected to the positive (+) or red terminal on the terminal cup.

Since the SSW-2 is a passive loudspeaker, only speaker-level connections are available. The SSW-2 subwoofer is specifically designed for use in conjunction with the JBL® Synthesis SDA amplifiers. It is optimized to offer the best dynamics and frequency response with the use of the JBL SDA-4600 amplifier, which is specially designed to use the proprietary SSW-2 tuning file and drive the signature reactive load impedance of the SSW-2. When using a different SDA amplifier with the SSW-2, contact your certified Synthesis installer for correct adjustment and loading of the SSW-2 tuning file. The SSW-2 is capable of running off of two SDA-4600 channels in bridged mode.

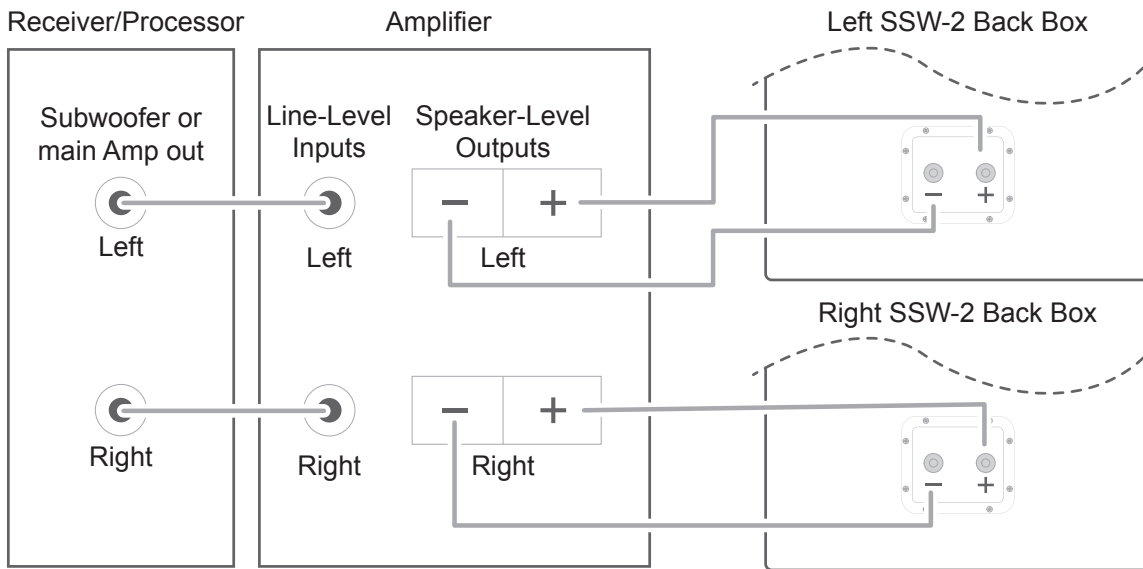
Connect your main receiver or processor's line-level subwoofer output to the line-level input on your subwoofer amplifier.

When using two or more subwoofers, use the correct number of amplifier channels (these can be mono-block or multi-channel amplifiers) each connected to the appropriate output on your processor or receiver. Then connect the positive and negative terminals for each amplifier channel to a single SSW-2 subwoofer system.

USING ONE SSW-2 SUBWOOFER IN MONO MODE



USING TWO SSW-2 SUBWOOFERS IN STEREO MODE



Wire Length	Recommended Size
Up to 30 ft.	14-gauge (minimum thickness)
Greater than 30 ft.	12-gauge (minimum thickness)

TROUBLESHOOTING

Symptom	Solution
If there is no sound from any of the speakers	<ul style="list-style-type: none">• Check that the receiver/amplifier is on and that a source is playing.• Check all wires and connections between the receiver/amplifier and the speakers. Make sure all wires are connected. Make sure none of the speaker wires are frayed, cut, punctured or touching each other.
If there is low (or no) bass output	<ul style="list-style-type: none">• Make sure the connections to the speaker inputs have the correct polarity (+ and -). If you are using two SSW-2 subwoofers, try inverting the polarity on one subwoofer as described on page 4.• Consider adding a separate power amplifier to drive the SSW-2 subwoofer.• When using a power amplifier with your SSW-2 subwoofer, make sure the subwoofer output of the receiver/processor has been enabled. See your receiver/processor's owner's manual for further information on correct speaker configuration.
If the system plays at low volumes but shuts off as the volume is increased	<ul style="list-style-type: none">• Check all wires and connections between the receiver/amplifier and the speakers. Make sure all wires are connected. Make sure none of the speaker wires are frayed, cut, punctured or touching each other.• If more than one pair of main speakers are being used, check the minimum-impedance requirements of your receiver/amplifier.
If you are hearing midrange frequencies (such as vocals) through the subwoofer	<ul style="list-style-type: none">• When using the Normal mode, adjust the crossover frequency on your electronics to a lower frequency.

SPECIFICATIONS

Frequency Response	20Hz – 400Hz (-6dB)
Maximum Recommended Amplifier Power	1200 Watts RMS per channel
Impedance	8 Ohms nominal
Sensitivity	93dB (1 watt at 1 meter) @ 60Hz
Woofers	Dual 12-inch / 300mm black-anodized aluminum cone woofers
Dimensions (H x W x D)	33" x 19" x 15.6" (837mm x 483mm x 397mm)
Weight per Speaker	141 lb (64kg)

Please visit JBL.COM / JBLSYNTHESIS.COM for additional language support on the user manual.

Veuillez visiter JBL.COM / JBLSYNTHESIS.COM pour obtenir le mode d'emploi en d'autres langues.

Para obter o manual do usuário em outros idiomas, acesse JBL.COM / JBLSYNTHESIS.COM

Ga naar JBL.COM / JBLSYNTHESIS.COM voor de handleiding in andere talen.

Gå til JBL.COM / JBLSYNTHESIS.COM for bruksanvisning på flere språk.

Если вам требуется дополнительные версии руководства пользователя на других языках, посетите сайт JBL.COM / JBLSYNTHESIS.COM.

別の言語に対応したユーザーマニュアルを読むには、JBL SYNTHESIS.COMにアクセスしてください。

사용자 설명서에 대한 추가 언어 지원은 JBL.COM / JBLSYNTHESIS.COM에서 확인하십시오

请访问 JBL.COM / JBLSYNTHESIS.COM 以获取其他语言版本的用户手册。

Visita JBL.COM / JBLSYNTHESIS.COM para obtener el manual de usuario de soporte en idiomas adicionales.

Weitere Sprachfassungen der Bedienungsanleitung findest Du unter JBL.COM / JBLSYNTHESIS.COM.

Si prega di visitare JBL.COM / JBLSYNTHESIS.COM per i manuali di istruzioni in altre lingue.

Jos tarvitset ylimääräistä kieleen liittyvää tukea käyttöohjeesta, käy osoitteessa JBL.COM / JBLSYNTHESIS.COM.

Gå ind på JBL.COM / JBLSYNTHESIS.COM for at se betjeningsvejledningen på flere sprog.

Gå till JBL.COM / JBLSYNTHESIS.COM för mer information om språk i användarmanualen.

Торговая марка:	JBL
Назначение товара:	Пассивная акустическая система
Изготовитель:	Харман Интернешнл Индастриз Инкорпорейтед, США, 06901 Коннектикут, г.Стэмфорд, Атлантик Стрит 400, офис 1500
Страна происхождения:	Китай
Импортер в Россию:	ООО "ХАРМАН РУС СиАйЭс", Россия, 127018, г.Москва, ул. Двинцев, д.12, к 1
Гарантийный период:	1 год
Информация о сервисных центрах:	www.harman.com/ru тел. +7-800-700-0467
Срок службы:	5 лет
Срок хранения:	не ограничен
	Товар не подлежит обязательной сертификации
Дата производства:	Дата изготовления устройства определяется по двум буквенным обозначениям из второй группы символов серийного номера изделия, следующих после разделительного знака «-». Кодировка соответствует порядку букв латинского алфавита, начиная с января 2010 года: 000000-MY0000000, где «M» - месяц производства (A - январь, B - февраль, C - март и т.д.) и «Y» - год производства (A - 2010, B - 2011, C - 2012 и т.д.).

产品中有害物质的名称及含量

部件名称	目标部件	有害物质或元素					
		铅(Pb)	汞(Hg)	镉(Cd)	六价铬(Cr(VI))	多溴联苯(PBB)	多溴二苯醚(PBDE)
电路板	印刷电路板, 电路板上的电子零件 (不包括特定电子零件), 内部相关连接线	X	0	0	0	0	0
箱体	外壳, 面板, 背板等	X	0	0	0	0	0
特定电子零部件	变压器, 保险丝, 大型电解电容, 电源插座	X	0	0	0	0	0
附件	电线, 说明书, 包装等	X	0	0	0	0	0

本表格依据SJ/T 11364的规定编制

O: 表示该有害物质在该部件所有均质材料中的含量均在GB/T 26572 规定的限量要求以下。

X: 表示该有害物质至少在该部件的某一均质材料中的含量超出GB/T 26572规定的限量要求。



在中华人民共和国境内销售的电子电气产品上将印有“环保使用期”(EPU)符号。圆圈中的数字代表产品的正常环保使用年限。






HARMAN International, Incorporated
8500 Balboa Boulevard, Northridge, CA 91329 USA

www.jblsynthesis.com

© 2019 HARMAN International Industries, Incorporated. All rights reserved.

JBL is a trademarks of HARMAN International Industries, Incorporated, registered in the United States and/or other countries.

Features, specifications and appearance are subject to change without notice.

 Part No. 950-0561-001